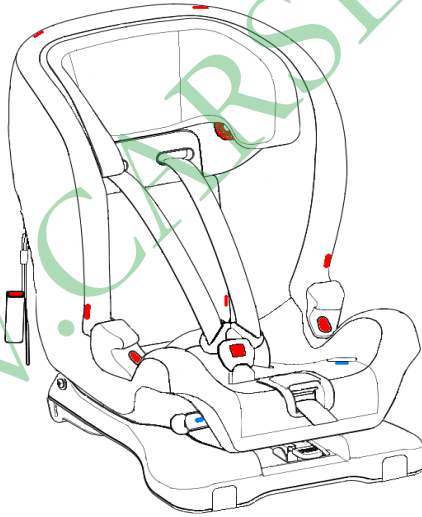




axkid

Instruction manual Kidzone



Rearward facing
9 - 25 kilo

Forward facing with seat belt
9 - 18 kilo

Forward facing with adult belt
15 - 25 kilo

Tested and approved according to

ECE R44 / 04

Important information

Thank you for choosing a child seat from Axon Kids. The team developing Kidzone have more than 30 years of experience in child safety products between us, and we have done our outmost to make this child seat as safe as possible.

The Kidzone child seat has of course also been tested and certified according to ECE R/44 04, the latest European standard for child safety.

To maximize your child's safety, please observe the following:

- Read the instructions thoroughly before you attempt to install the child seat. If you have any doubts, please contact your store of purchase, which can show you the correct installation. Incorrect installation means danger to your child.
- Never mount the child seat in a seat with an active airbag. If you still wish to use the seat, disconnect the airbag at an authorized service center, or if your car is equipped with it, use the key to turn the airbag off. It is important to always note if the car's indicator shows that the airbag is turned off.
- Keep the child seat facing backwards as long as possible. Studies have shown that the risk for an accident to be fatal for your child is five times higher if your seat is front facing.
- Always use the support leg when the seat is mounted backwards. The support leg serves a very important safety purpose and is designed to maximize your child's safety in an accident.
- In case of a car accident, no matter how small, always replace the car seat. It may have invisible damage that seriously affects your child's safety. This is also the reason for why you never should by a used child seat. Axon Kids recommendation is that you always should buy a new chair in a store.



Read this instruction manual before assemble the child seat in the car.

Contents

The Kidzone child seat is possible to use from when the child is approximately six months, or can sit without support, up to about the age of six. The chair can be mounted in three different ways, depending on your child's age and size. A review of the chair's parts can be found on the next page. On the following pages you will find instructions on how to assemble your chair:

Rearward facing fastened with seat belt

5

This assembly can be used when the child weighs between 9 and 25 kilos (20 to 55 lb).

Forward facing assembly with seatbelt

8

If you want your child to sit forward and it weighs between 15 and 18 kilos, this assembly can be used in all car seats with a three-point belt.

Forward facing with adult belt

10

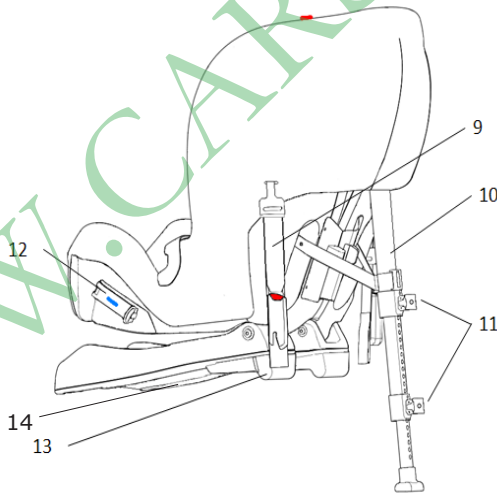
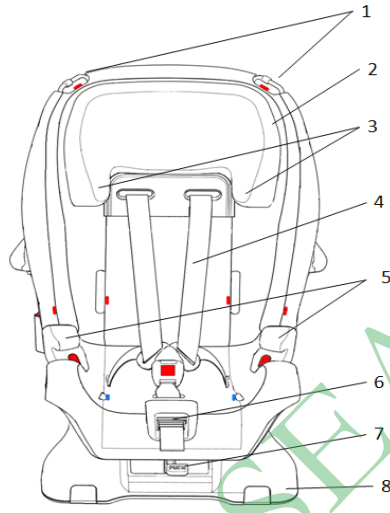
Once the child has become large enough to sit forward and use the car's three-point itself, you can use your Kidzone as a booster seat. This assembly is suitable for children weighing between 15 and 25 kilos.



Never use this child seat in a car seat that is not equipped with an approved three-point belt.



For the safety of you child; Use backwards assembly as long as possible



- 1. Belt guide top (Forward facing with internal harness only)
- 2. Head support
- 3. Belt guides head support (Forward facing with vehicle 3 point belt)
- 4. Internal harness.
- 5. Lower belt guide. (Forward facing with vehicle 3 point belt)
- 6. Adjuster for internal harness
- 7. Adjuster arm for seat angel
- 8. Base

- 9. Tether strap
- 10. Support leg
- 11. Adjuster handels for supportleg
- 12. Lock-off
- 13. Heel
- 14. Pocket for storing the manual

Rearward facing fastened with seat belt

Important to remember

Never mount the child seat in a seat with an active airbag. If you still wish to use the seat, disconnect the airbag at an authorized service center, or if your car is equipped with it, use the key to turn the airbag off. It is important to always note if the car's indicator shows that the airbag is turned off.

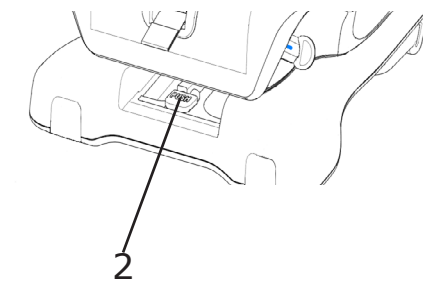
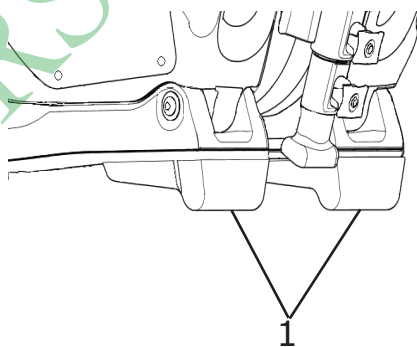
Place the chair

The simplest way to lift the child seat into the car is with its back first.

Place the child seat in the car seat and turn it so that the back is facing the front of the car. The heels of the seat (1) should bend over the edge of the seat. The highlight on the side of the heel should align vertically with the end of the car seat. If you have a small car, and the child is small enough not to require extra leg room, you can instead put the car seat with the heel up on the car seat. When mounting the child seat in the car's front seat it is possible, but not crucial, for the back of the child seat to have contact with the dashboard.

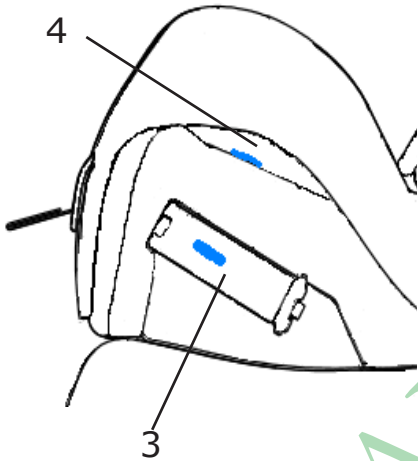
Push down the lever for adjusting the backrest angle (2). With the lever pushed down, you can then adjust the seat and choose one of its three tilt positions. The choice of tilt position should be one that is as upright as possible, but the child should

Continued on next page



Never use the child seat in a car seat where airbag hasn't been disabled.

be able to keep its head up on its own, and the head should not hang forward if the child falls asleep. The rule of thumb is that the older the child grows, the more upright the tilt position can be. Also note that the child seat will be angled down slightly when it is clamped and sinks into the car's seat.



Fasten seat belt in the car

Open both belt lock-offs(3) on the child seat. Grasp the seat belt, and pull the belt roll. The lap section of the belt should be at least 70-80 centimeters (27-32 inch) long.

Now place the belt through the hole in (4) and push it under the fabric until it comes out on the other side. If you prefer you can instead pull the belt on top of the fabric.

Next step is to fasten the seat belt. Tighten the belt firmly, the belt passing through or over the seat should not have any slack. Fasten your belt in belt buckle. In the belt lock-off closest to the car-buckle both lap and shoulder belt should be secured. In the belt lock-off on the opposite side, only the lap belt should be secured.

*Skip this part
if your car is
equipped with
eyelets*



Attach the tether straps

Your car may have two eyelets in the front seat rails, or when mounting in the front seat, in front of the same seat. When your car has no eyelet you should instead use the supplied strap which is in the child seat. If the child seat is installed in the rear seat, put one end of the strap through either the rear of the front seat rails or another suitable fastening point in the front seat. The loop should be as close as possible to the floor. Choose an appropriate length of the strap and then put the loop through one of the openings on the side of

Continued on next page

the strap. When installing in the front seat the strap has to be attached under the seat.

Pull out the strap(1) to an appropriate length. Secure the fastening device in the loop of the car or the strap. Repeat on the other side. Tighten the straps by firmly pulling the end strap.

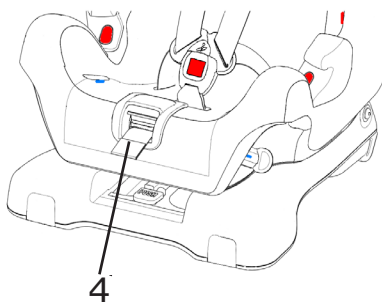
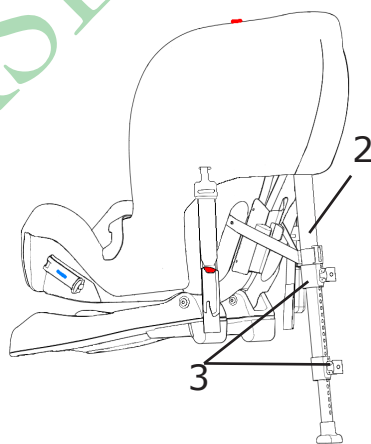
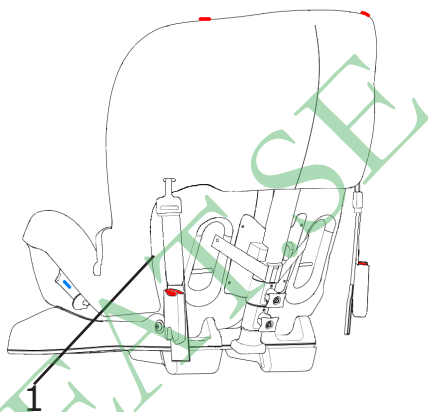
Unfold the support leg (2) to its maximal angle. Pull the latch on the upper length adjuster (3) and pull down the leg so that it gets in contact with the car's floor. If the leg still cannot reach the floor, repeat on the bottom length adjuster (3).

Now you could try to firmly pull the straps to make sure that your seat is fully secured.

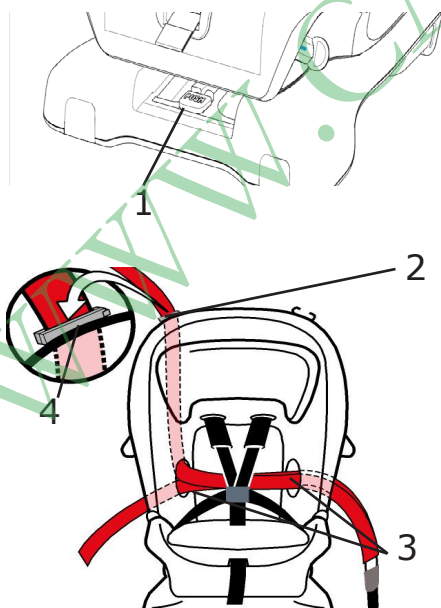
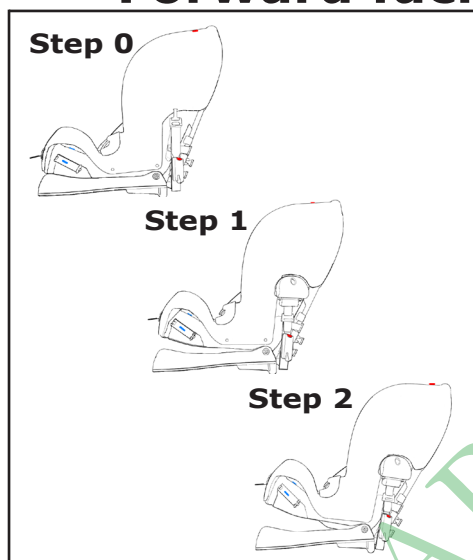
If you have mounted the child seat in the rear seat of the car, move the front seat to a comfortable location. The seat's backside can, but must not, have contact with the car seat.

Adjust the seat belt

Place the child in the child seat. Place the child's arms in between the shoulder straps so that the shoulder straps are hanging over the chest and stomach of the child. Put together the shoulder belts and fasten the buckle between the child's legs. Pull the adjustment strap (4). This will tighten the belt and the headrest will automatically slide down to the proper height. To loosen the belt, hold down belt adjustment and pull both belts.



Forward facing with seatbelt



Fixed installation of seat

Make sure the seat's tilt is in its 0-position. If not, hold the adjustment lever for its angle (1) change the chair until it stands straight up.

Place your Kidzone on the seat. Pull the car's safety belt and place the shoulder strap into belt guide(2) on the upper side of the seat. Then pull the belt straight vertically down, on the backside, to the nearest hole in the backseat (3). Lap section of the belt is simultaneously pulled up and guided into the same hole as shoulder belt. Bring the belts through the hole, across the front of the chair and then back through the second hole (3). Pull both belts horizontally across the side on the chair and then down. Fasten seat belts in the belt buckle and secure it with the lock-off(4). Please make sure that the belts hasn't tangled up or been folded anywhere.

Also make sure that both shoulder and lap belt is securely fastened everywhere. Use your own weight to press down the chair in order to automatically fasten the seat belt further.

Continued on next page



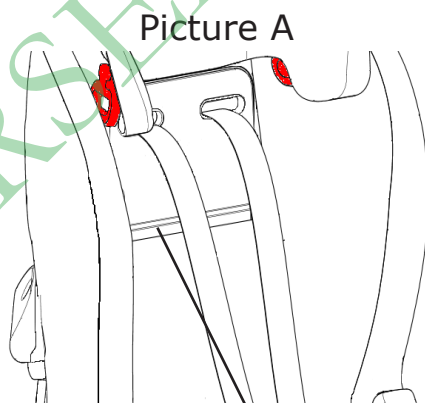
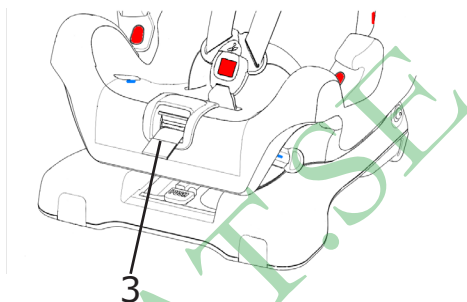
Never use the child seat in a car seat where airbag hasn't been disabled.

Adjust the seat belt

Place the child in the child seat. Place the child's arms in between the shoulder straps so that the shoulder straps are hanging over the chest and stomach of the child. Put together the shoulder belts and fasten the buckle between the child's legs. Pull the adjustment strap (3). This will tighten the belt and the headrest will automatically slide down to the proper height. The headrest must always be drawn down at least 35 millimeters. There is a line in the headrest which can be detected with your fingers. If it is behind the cover the headrest has been pulled down correctly. (See picture A)

Make sure that the headrest is in the locked position by pulling the belt adjuster one more time. The headrest shall not move down when you pull the belt. If it is impossible to get the headrest in a locked position, the child seat should instead be used as a booster seat (see next chapter).

To loosen the belt, hold down the belt adjuster and pull both belts.

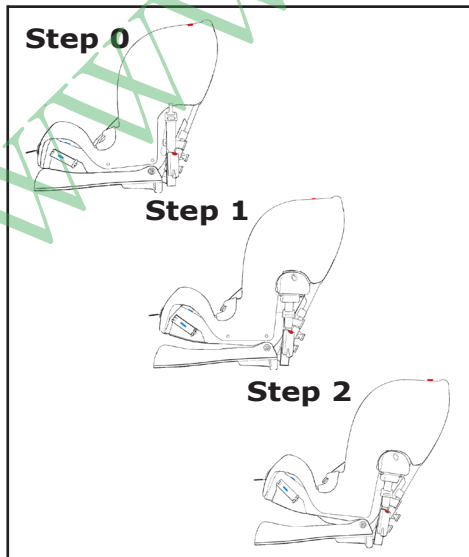
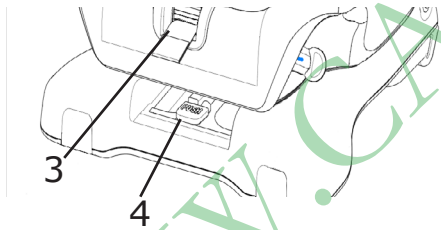
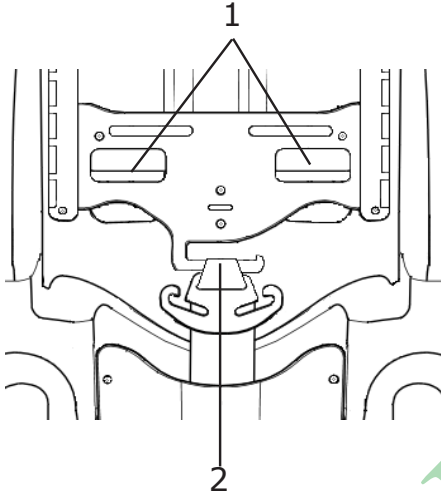


This line should be hidden behind the cover.



Never use the child seat in a car seat where airbag hasn't been disabled.

Forward facing with adult belt



Important to remember

Never mount the child seat in a seat with an active airbag. If you still wish to use the seat, disconnect the airbag at an authorized service center, or if your car is equipped with it, use the key to turn the airbag off. It is important to always note if the car's indicator shows that the airbag is turned off. Since the air bag is designed for adults, it can seriously harm your child in a crash.

Remove the seat belt

Since you are now going to use car belts, you must first remove the internal child seat belts.

Loosen the shoulder straps of the yoke (1) and pull the belt up on the chair. The part passing through the yoke forming a loop, must be attached in the neck rest's fixing plate(2).

After inserting the loop, pull down the retaining plate and the headrest to a height appropriate for your child. Tighten the strap by pulling the belt adjustment (3) in the front of the chair.

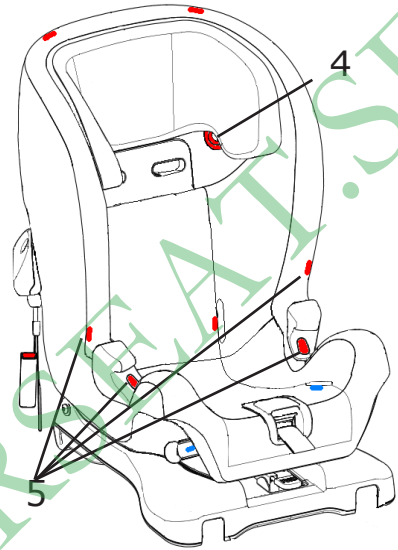
Make sure the seat's angle is in its 0-position. If not, hold the lever for adjusting its angle (4) change the chair until it stands straight up. Now your Kidzone can be used as a booster seat.

Continued on next page

Mount the seat in the car

Place Kidzone child seat in the car's seat. Then place the child in the child seat. Grab the car's three-point belt and then guide the shoulder belt through the red belt guide (4), located on the car seat just above the child's shoulder, and then guide it over the next red mark just above the armrest. You may need to move the chair slightly sideways for the belt to fit comfortably in the seat belt guide.

Then move the lap belt through the red belt guides down at the sides of the chair (5) and attach the belt buckle in the car. The belt must not be tangled, twisted or folded at any location and needs to have a firm tension. Picture B is describing the complete belt routing.



Picture B



Before your child uses the Kidzone child seat make sure that all the steps in this instruction manual has been followed and that the child seat is securely fastened.

Warranty and handling

- If the child seat cover is replaced; make sure only to use original products from Axon Kids. If not the safety system could be compromised and may lead to death or injury of your child in case of an accident.
- The child seat cover can be taken off and washed in the laundry. Use the “handwash”-program or similar (max temp 30 ° C). Do not use the dryer since this can cause the padding to detach from the cloth. Never use the baby seat without it’s cover.
- The plastic details of the child seat shall be cleaned with a non aggressive cleaning chemicals such as soap water. Aggressive chemicals like solvents etc may cause damage to the material and by this compromise the safety of the child seat.
- The parts of the child seat can be recycled and shall be sorted in compliance with your local legislation. Ask your local recycling center for advice when recycling the product.
- Do not do any repairs or make any adjustment to the child seat other then those described in this user guide. Follow closely the installation instructions provided by the child restraint manufacturer.
- Our warranty policy is inline with your local consumer agency. Make sure to save your receipt and bring it to your dealer if you have any warranty issues. The warranty does not cover:
 - Wear down as a consequence of normal use.
 - Damages as a consequence of incorrect use.
- All our materials keep a very high standard with respect to UV-resistance (sun light). In long term UV light is very aggressive and will lead to that the cloth will be bleached. This is not covered by the warranty since it is considered as normal usage.
- Never leave your child unattended in the baby seat.
- Any luggage or other objects liable to cause injuries in the event of a collision shall be properly secured.
- Store this user manual in the assigned pocket underneath the seat.